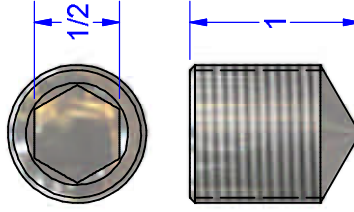
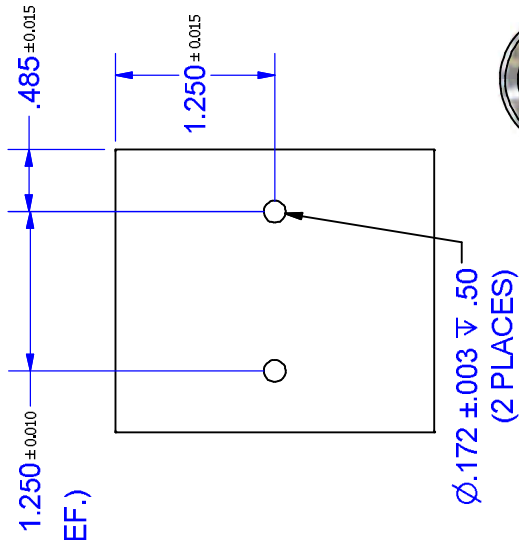
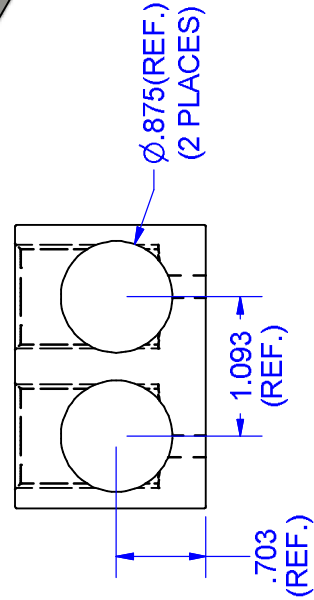
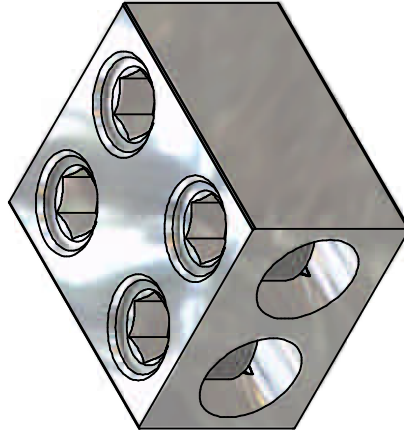


PART MARKED
IHI
2P500
UL LOGO
500MCM-6
AL7CU



SCREW #11941



THIS DRAWING AND DESIGN ARE THE PROPERTY OF INTERNATIONAL HYDRAULICS, INC., CLEVELAND, OHIO, AND MAY NOT BE REPLICATED, USED OR TRANSMITTED IN ANY FORM OR BY ANY MEANS WITHOUT THE WRITTEN PERMISSION OF INTERNATIONAL HYDRAULICS, INC., CLEVELAND, OHIO.

GENERAL TOLERANCES
±.015 (±0.38)

INTERNATIONAL HYDRAULICS, INC.
TITLE:
2P500
CONNECTOR

MATERIAL:
6061-T6 (11499)

SIZE:
TDS
DRAWN BY:
DATE:
11/20/08
DWG NO.:

FINISH: TIN PLATE
FMS 131

REV:
2P500-(SALES)
THIS IS A CAD DRAWING, DO NOT MANUALLY REVISE