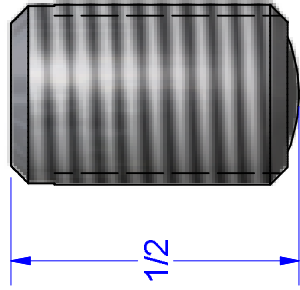
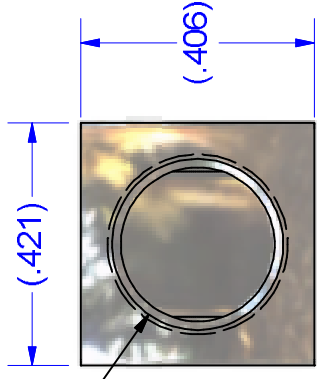
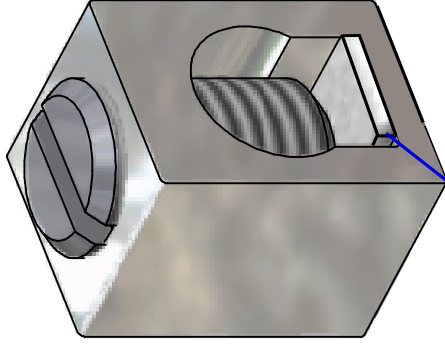


SCREW #12786
STEEL (TIN PLATED)



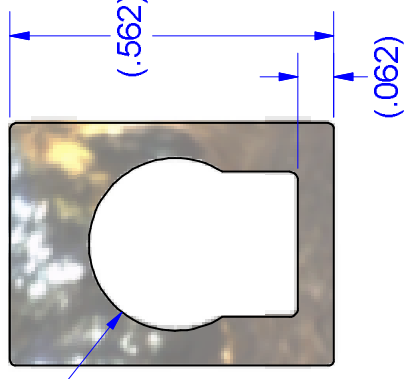
ALSO AVAILABLE: 5/32 OR 4mm HEX SOCKET

CUSTOMER SUPPLIED BUS STRIP & COLLAR RETENTION
 115 AMP .24 X .04 CROSS SECTION
 50 AMP .25 X .032 CROSS SECTION
 TIN PLATED COPPER ALLOY
 MEANS FOR ANTI-ROTATION AND ANTI-PULL OFF
 CONSULT IHI FOR PROPER BUS FIT TOLERANCES



5/16-24 UNF - 2B

CONNECTOR #B2A
ALUMINUM (TIN PLATED)



PARTS MARKED

- B2
- IHI LOGO
- CSA LOGO
- UL REGOGNITION LOGO
- 2-14CU7
- 2-8AL7

THIS DRAWING AND DESIGN ARE THE PROPERTY OF INTERNATIONAL HYDRAULICS, INC., CLEVELAND, OHIO, AND MAY NOT BE REPLICATED, USED FOR THE BASIS OF DESIGN OR MANUFACTURE WITHOUT THE WRITTEN PERMISSION OF INTERNATIONAL HYDRAULICS, INC., CLEVELAND, OHIO.

INTERNATIONAL HYDRAULICS, INC.		TITLE:	
Connector		ASSEMBLED CONNECTOR	
GENERAL TOLERANCES ±.015 (±0.038mm)	SIZE:	DRAWN BY: TDS	DWG NO.: B2A (SALES)
MATERIAL: SEE ABOVE	FINISH:	REV:	
		DATE: 1215/08	THIS IS A CAD DRAWING, DO NOT MANUALLY REVISE