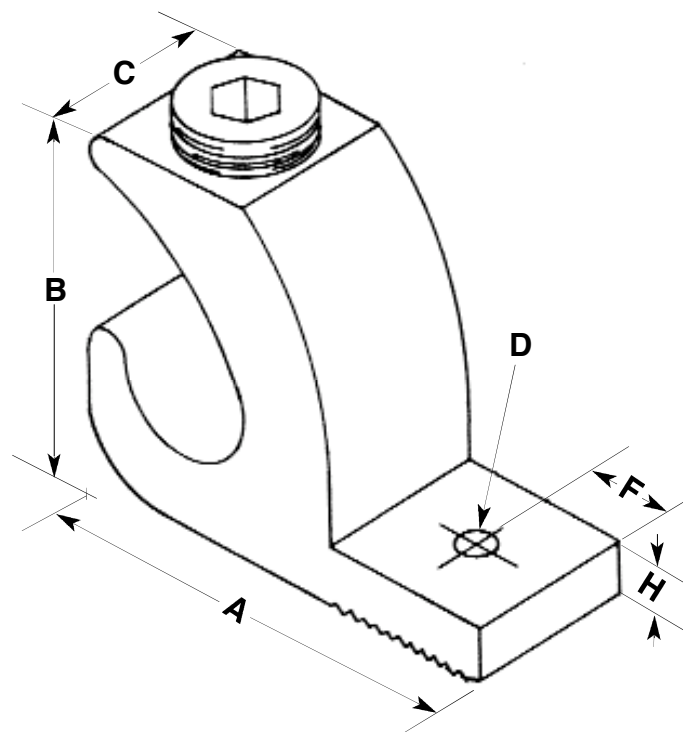


**RU**   
**Lay-In Connectors**



CAT. NO.	MATERIAL	WIRE RANGE	A	B	C	D	F	H
		CU-AL						
GLA-4	ALUMINUM	4-14	1.07	0.75	0.38	0.218	0.19	0.15
GLA-0	ALUMINUM	1/0-8	1.50	1.10	0.60	0.272	0.30	0.22
GLA-000	ALUMINUM	3/0-6	2.00	1.50	0.80	0.330	0.40	0.3
GLA-250	ALUMINUM	250 MCM-6	2.20	1.70	0.80	0.330	0.40	0.3
		WIRE RANGE						
		CU						
GLC-4	COPPER	4-14	0.968	0.687	0.375	0.218	0.187	0.109

**Material:** High Strength, High Conductive Aluminum Alloy 6061T6 **Plating:** Tin Over Copper