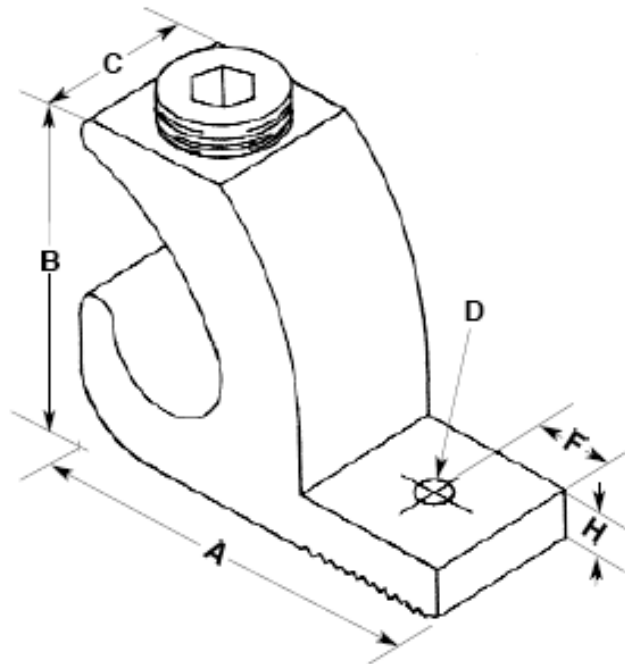
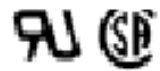




### Lay-In Connectors



CAT. NO.	MATERIAL	WIRE RANGE CU-AL	A	B	C	D	F	H
GLA-4	ALUMINUM	4-14	1.07	0.75	0.38	0.218	0.19	0.15
GLA-0	ALUMINUM	1/0-8	1.50	1.10	0.60	0.272	0.30	0.22
GLA-000	ALUMINUM	3/0-8	2.00	1.50	0.80	0.330	0.40	0.3
GLA-250	ALUMINUM	250 MCM-6	2.20	1.70	0.80	0.330	0.40	0.3