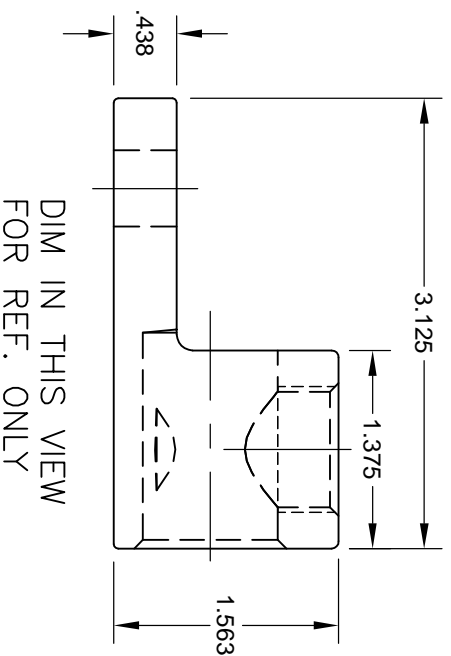
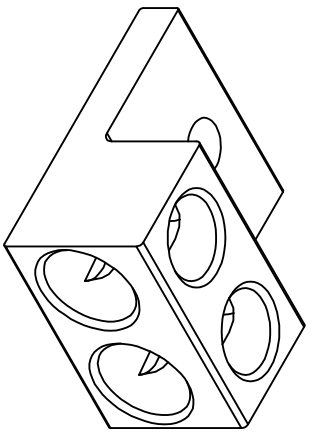
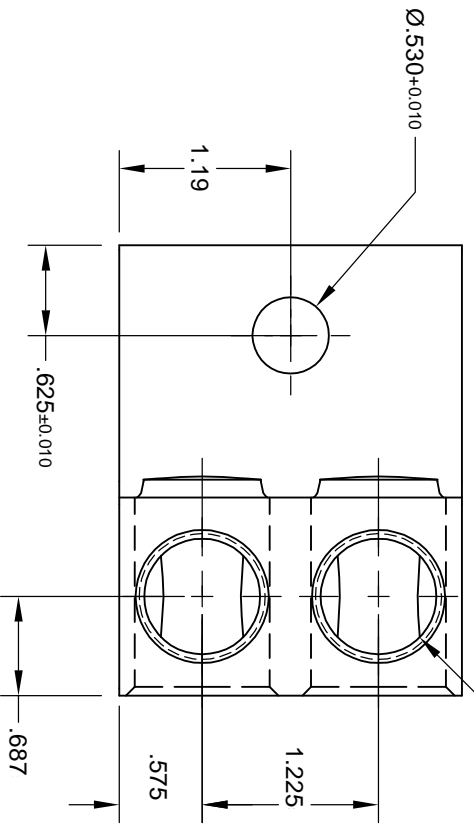
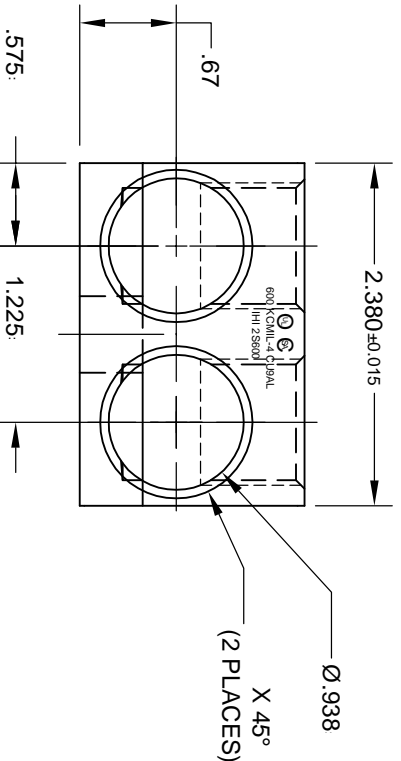


#	DESCRIPTION	DATE	APPROVED
1	.625 WAS .812	05/29/2008	Tim Smith
	2S600		

TAP 7/8-14UNF-2B
(2 PLACES)



DIM IN THIS VIEW
FOR REF. ONLY



X 45°
(2 PLACES)

THIS DRAWING AND DESIGN ARE THE PROPERTY OF INTERNATIONAL HYDRAULICS INC., CLEVELAND, OHIO, AND MAY NOT BE DUPLICATED, USED FOR BASIS OF DESIGN OR MANUFACTURE WITHOUT THE WRITTEN PERMISSION OF INTERNATIONAL HYDRAULICS INC., CLEVELAND, OHIO.

TITLE: **INTERNATIONAL HYDRAULICS, INC.**
2S600 MFG. DRAWING

ASSEMBLE WITH (2) 7/8-14 UNF HEX SOCKET SCREWS
.50 REF ACROSS FLATS

MATERIAL: AS NOTED 6061-T6 (X2S600 / X1004)	SIZE: A	DRAWN BY: JDB	CHECKED BY: XX	DRAWING: 2S600	REV: 1
FINISH: AS NOTED .0001 MIN. TIN OVER .0001 COPPER	DATE: 7/19/07	SCALE: NTS	THIS IS A CAD DRAWING. DO NOT MANUALLY REVISE		