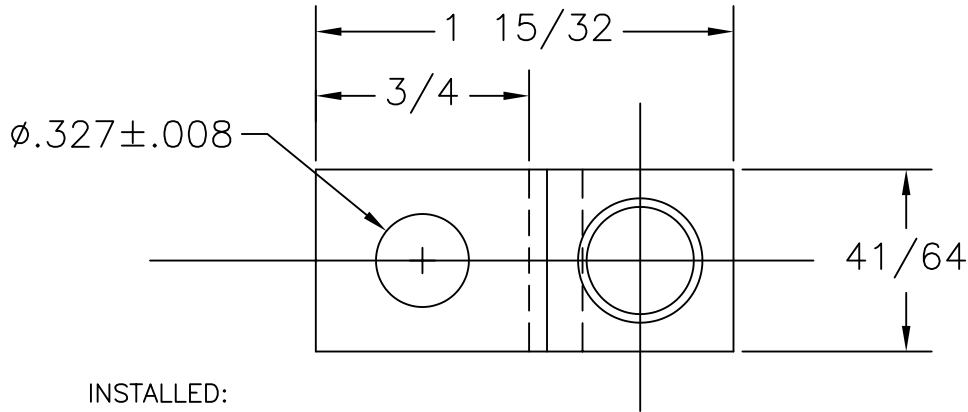


THIS DRAWING AND DESIGN ARE THE PROPERTY OF INTERNATIONAL HYDRAULICS, INC., MENTOR, OHIO. IT MAY NOT BE DUPLICATED OR USED FOR THE BASIS OF DESIGN OR MANUFACTURE, WITHOUT THE WRITTEN PERMISSION OF INTERNATIONAL HYDRAULICS, INC.

REVISIONS

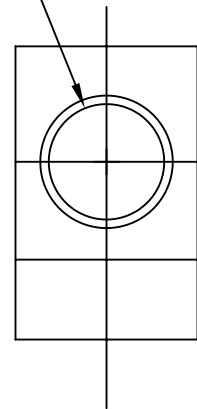
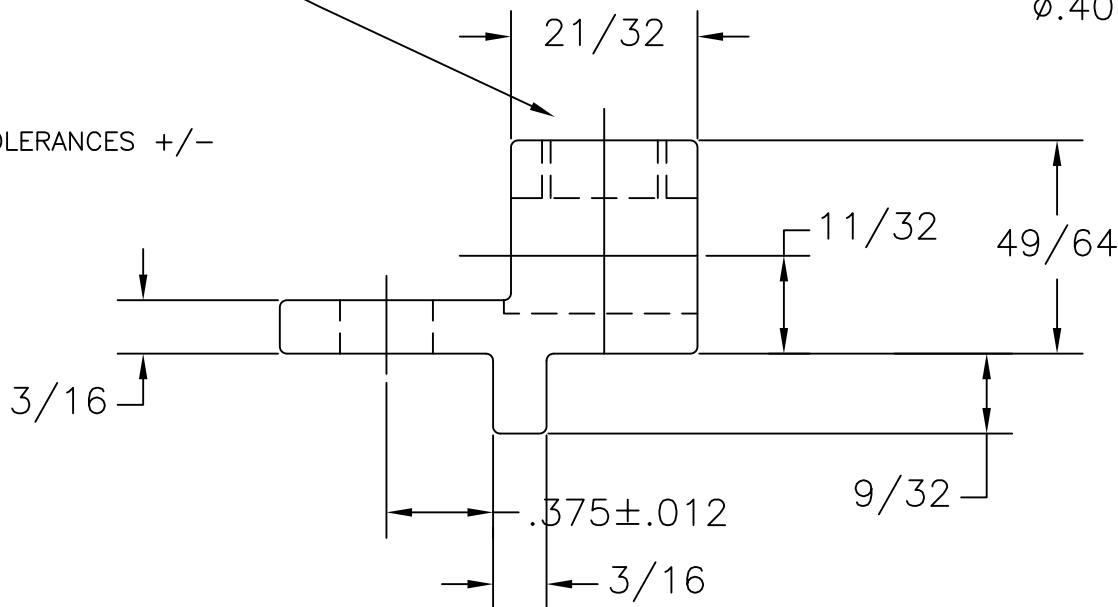
NR.	DESCRIPTION	BY	DATE



MARKING
 "UL CSA
 CU9AL
 1/0-14
 IHI S1/0"
 Tightening Torques
 per UL486

INSTALLED:
 1 X 7/16-20 ALUM
 HEX SKT DRIVE
 SCREW

GENERAL TOLERANCES +/-
 .016



International Hydraulics
 7638 ST. CLAIR AVE., MENTOR, OHIO

DWN BY: CDMR	TITLE: DUAL RATED 1/0 Turn Prevent Lug	REV#
DATE: 8/17/07	MATERIAL: 6061-T6 TIN PLTD	FINISH
		DWG# S1/0-TP