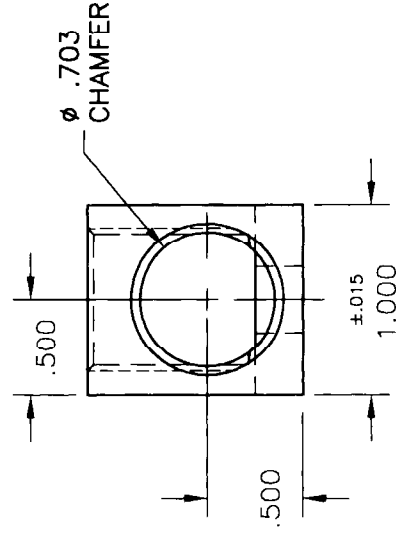
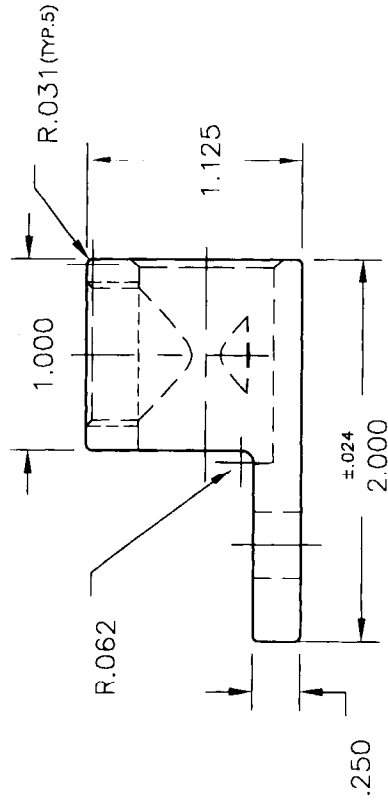
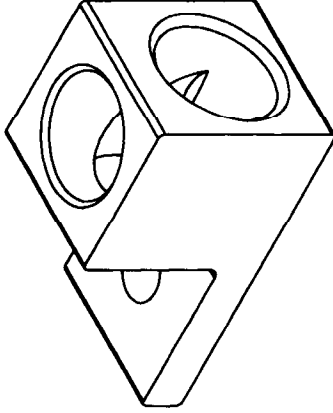
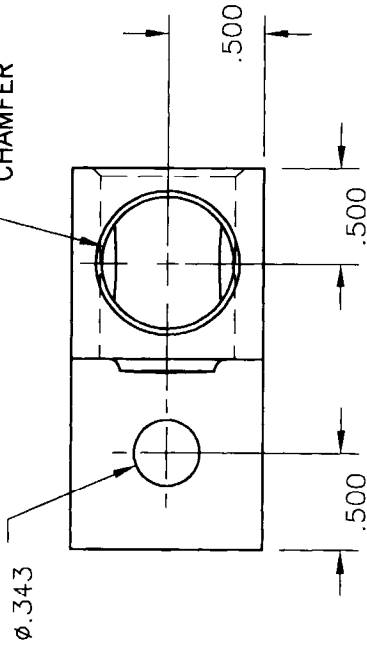


#	DESCRIPTION	DATE	APPROVED

ϕ .687 X
 TAP 3/4-16UNF-2B
 CHAMFER



MARKING TO INCLUDE:
 S350
 350 KCMIL-6
 CUGAL
 IHI

NOTE:
 (REF.) ASSEMBLED WITH 3/4-16UNF-2A

THIS DRAWING AND DESIGN ARE THE PROPERTY OF
 INTERNATIONAL HYDRAULICS INC., CLEVELAND, OHIO, AND
 MAY NOT BE DUPLICATED, USED FOR BASIS OF DESIGN
 OR MANUFACTURE WITHOUT THE WRITTEN PERMISSION OF
 INTERNATIONAL HYDRAULICS INC., CLEVELAND, OHIO.

INTERNATIONAL HYDRAULICS, INC.

TITLE:

S350
 L SHAPE

MATERIAL:	6061-T6	SIZE:	A	DRAWN BY:	TDS	CHECKED BY:	XX	DRAWING:	S350	REV:	0
FINISH:	AS NOTED TIN PLATE	DATE:	01/25/03	SCALE:	1:1	THIS IS A CAD DRAWING, DO NOT MANUALLY REVISE					