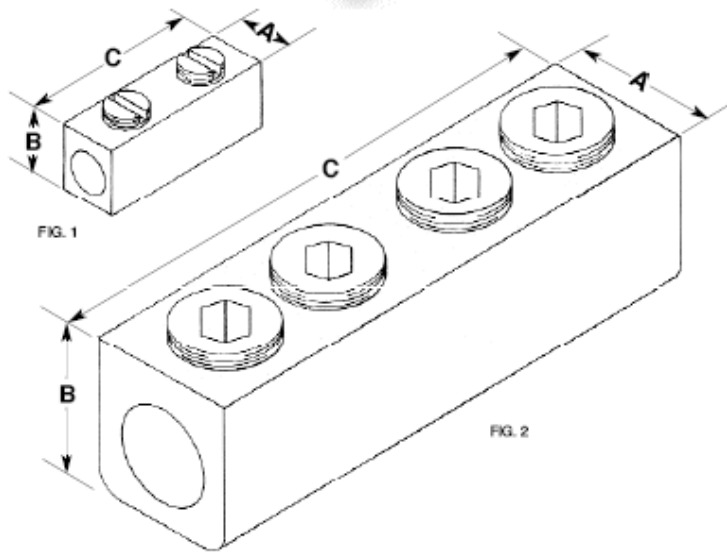


Splicer Reducer



CAT. NO.	FIG.	WIRE RANGE	A	B	C
		CU/AL			
2-SR	1	2-14	0.443	0.550	1.594
1/0-SR	1	1/0-14	.562	0.703	1.906
250SR-1	1	250 MCM-6	0.812	1.000	2.310
250-SR	2	250 MCM-6	0.812	1.000	4.094
350-SR	2	350 MCM-6	1.000	1.125	4.344