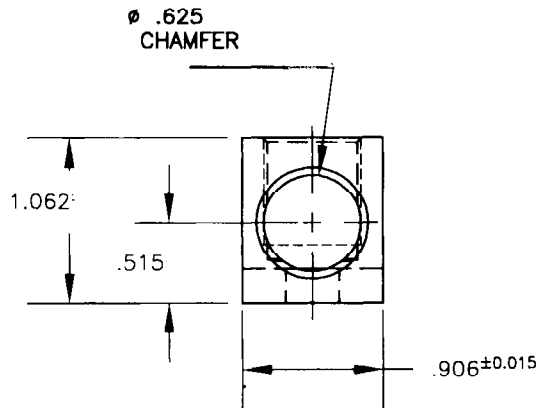
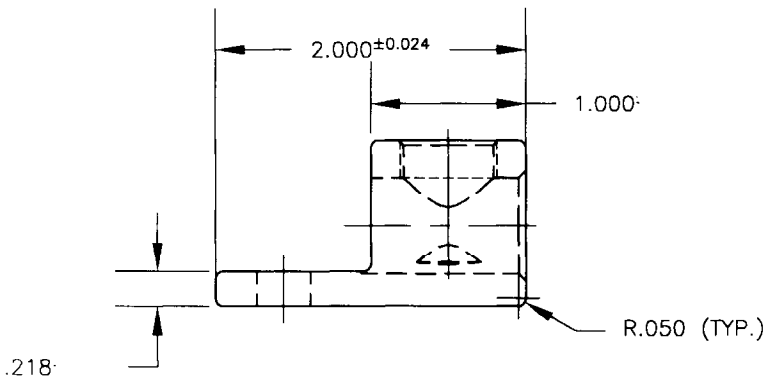



PARTS MARKED
 250 MCM-6
 CU9AL
 UL logo
 CSA logo
 IHI logo



		INTERNATIONAL HYDRAULICS, INC.			
		TITLE: S250			
MATERIAL: F061-T6 EXT.	SIZE: A	DRAWN BY: TDS	CHECKED BY: XX	DRAWING: S250	REV: 0
FINISH: AS NOTED	DATE: 7/1/02	SCALE: NTS	THIS IS A CAD DRAWING, DO NOT MANUALLY REVERSE		