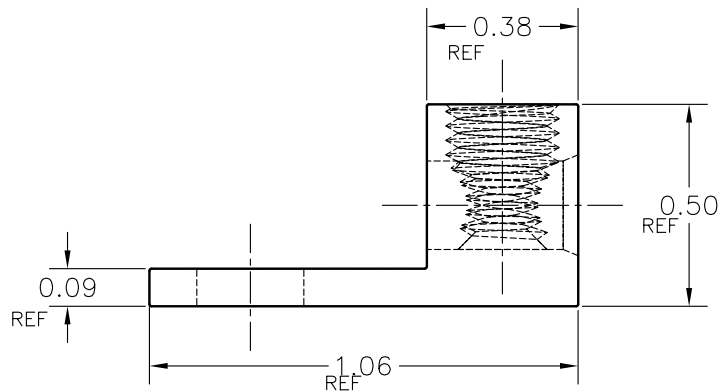
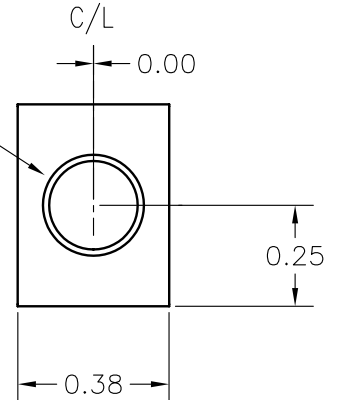


DRILL REF  $\phi$  0.213 X 0.340 REF. DEEP  
 CHAMFER REF .031 X 45°  
 TAP 1/4-28 X 0.312 REF. DEEP UNF-2B



DRILL  $\phi$ .219 $\pm$ .010 X THRU  
 CHAMFER REF .031 X 45°



NOTES:

THIS DRAWING AND DESIGN ARE THE PROPERTY OF INTERNATIONAL HYDRAULICS INC., CLEVELAND, OHIO, AND MAY NOT BE DUPLICATED, USED FOR BASIS OF DESIGN OR MANUFACTURE WITHOUT THE WRITTEN PERMISSION OF INTERNATIONAL HYDRAULICS INC., CLEVELAND, OHIO.

INTERNATIONAL HYDRAULICS, INC.

TITLE  
 SINGLE LUG - ALUMINUM  
 WIRE RANGE: 6 - 14

MARKING:

IHI, S6, 6-14, CU9AL



UNLESS OTHERWISE SPECIFIED  
 1. DIMS ARE IN INCHES  
 2. TOLERANCE ON DIM'S  
 2 PLACE (.00)  $\pm$  .010  
 3 PLACE (.000)  $\pm$  .005  
 FRACTION  $\pm$  1/32  
 ANGLES  $\pm$  1/2°

MATERIAL  
 6061-T6  
 FINISH  
 TIN PLATE - EMS 131A

SIZE	DRAWN BY	CHECK	DWG NO	REV
A	JDB		S6	
DATE	01.07.2000		THIS IS A CAD DRAWING, DO NOT MANUALLY REVISE	